



V40



The V40 quintessentially showcases the sleek exterior, performance and exceptional seakeeping of the Princess V Class range. Her port light windows cascade across the length of her deep-V hull, flooding the saloon and cabins with natural light. When entertaining, her spacious cockpit provides the perfect setting with the option to specify a convertible sunbed aft.





Below deck, her interior design depicts the modern V Class look throughout. Her spacious saloon and well equipped galley combine for a highly sociable entertaining space, while both cabins exude contemporary style and generous proportions. The forward cabin has an en-suite bathroom with secondary access to the saloon whilst the aft cabin can be fitted with optional sliding berths to provide easy conversion to a double bed when required.





Experience the V40



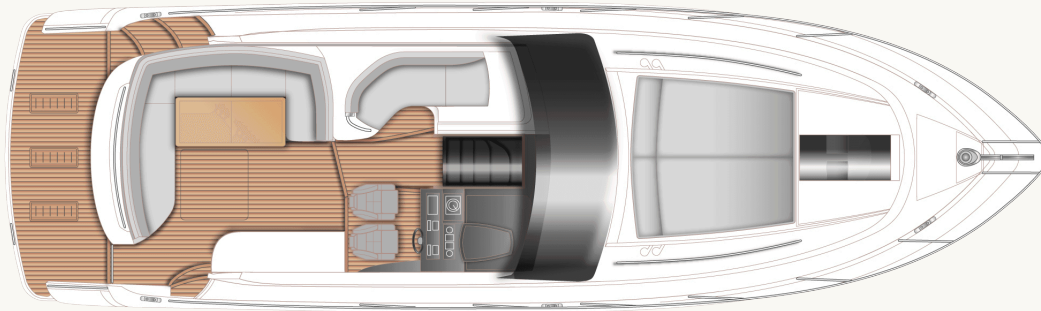
Take a virtual tour of the V40



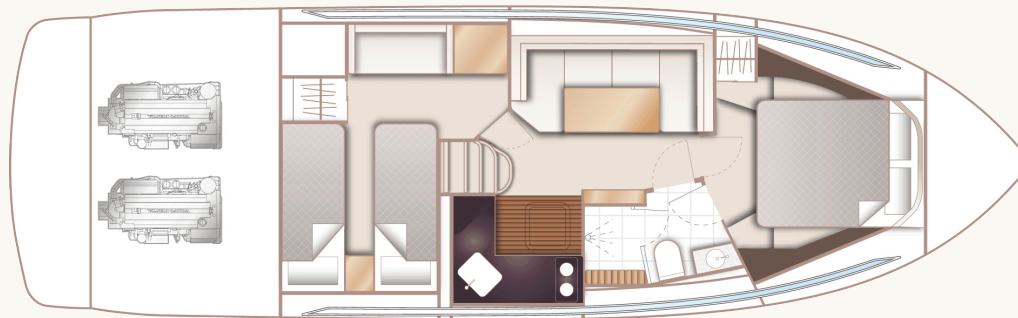
V40

Layout and Specifications





V40 Main Deck



V40 Lower Deck

Principal Dimensions

Length overall (incl. pulpit)	42 ft 6 in / 12.98m
Length overall (excl. pulpit)	40 ft 6 in / 12.35m
Beam	12 ft 5 in / 3.81m
Draft (drives raised)	1 ft 10 in / 0.56m
Draft (drives lowered)	3 ft 4 in / 1.02m
Displacement approx.	9,592 kg / 21,147 lbs*
Fuel capacity	161 gal / 193 US gal / 730 l
Water capacity (excl. calorifier)	63 gal / 76 US gal / 288 l
Black water tank	19 gal / 22 US gal / 85 l

Engines - Diesel

Twin Volvo D6-340 DP (2 x 340mhp)	Maximum speed range - 34-36 knots [†]
-----------------------------------	--

Full Specification

Deck fittings

- Teak laid transom platform, cockpit deck and steps to side decks
- Reversible electric anchor winch with helm position controls
- Self-stowing (16 kg/35 lbs) Delta anchor with 30m of chain
- Stemhead roller with automatic anchor launch and retrieve
- Chain locker with stowage for 4 fenders (stowage for an additional 2 fenders in engine room)
- Stainless steel bow, stern and spring cleats
- Bow fairleads
- Stainless steel pulpit and guardrails
- Foredeck hatch with integrated skylight
- Rubbing band with stainless steel insert
- Full set of IMCO navigation lights
- Riding light
- Remote control searchlight
- Twin electric horns
- Fuel and water fillers

Cockpit

- Self draining
- L-shaped seat opposite helm position
- U-shaped seating/dining area
- Teak table (with optional conversion to double sunbed)
- Cockpit lighting
- Audio unit linked to saloon with local control, paired with Fusion 6" FR-602 speakers (2)
- Sliding sun roof (electrically operated) within fixed GRP structure and integrated radar arch
- Aft tonneau canvas cover
- Stainless steel grabrails
- Wetbar with sink, top loading cool box and optional electric barbecue
- Locker with remote fuel cocks
- 220/240v shore support inlet
- Life raft storage locker
- Engine access hatch with gas strut support and storage for 2 fenders
- Transom gate leading to integral bathing platform

- Teak laid bath platform with retractable swimming ladder (manual), hot and cold transom shower, and space for tender
- Large transom storage locker with access via transom doors and hatch in stern seat (will accept deflated dinghy and outboard engine)

Helm position

- Double helm seat with sit/stand facility
- Instrument console incorporating engine instruments and fuel gauges
- Instruments and controls at helm position:
 - Power-assisted electro-hydraulic steering
 - Adjustable steering wheel
 - Electric anchor winch remote control
 - Trim tab controls with indicators
 - Sterndrive trim controls
 - VHF with DSC R/T
 - Speed and distance log (with sea temperature)
 - Echo sounder with alarm
 - Remote control searchlight
 - High-speed compass

- Horn button
- Chart table
- Windscreen wipers (2 speed)
- Freshwater windscreen wash
- Bilge pump controls with visual 'pump running' warnings

Saloon

- U-shaped sofa, converting to double berth with built in stowage for infill cushions
- Dining table
- Cocktail cabinet
- Cupboards and lockers
- Fusion Apollo RA-670 audio unit with WiFi and Bluetooth connected to saloon Fusion 6" CL602 speakers and cockpit speakers (2)
- Window with opening porthole
- Manual tension venetian blind
- LED overhead and concealed lighting (12v)
- Access stairway to lower accommodation
- Fitted carpet

Galley

- Solid surface worktop

- 2-zone gas hob with flame-failure device
- Combination microwave/conventional oven with grill
- Stainless steel sink with mixer tap
- Chopping board
- Waste bin
- Drawers and storage cupboards
- Refrigerator with freezer compartment
- Window with opening porthole
- Manual tension venetian blind
- LED overhead and task lighting (12v)
- 220/240v outlets (4)
- Timber flooring

Accommodation

- All cabins and bathrooms feature opening portholes
- All cabins feature 220/240v power points
- All bathrooms feature electric freshwater toilets and 240v shaver points

Owner's cabin

- Large double bed with drawers below
- Wardrobe with shelves

- Dressing table
- Mirror
- Storage lockers and drawers
- Window with opening porthole
- Manual tension venetian blind
- Deck hatch with integrated skylight and blind
- LED overhead and concealed lighting (12v)
- Individual berth lights
- 220/240v outlets (2)
- Fitted carpet

En-suite bathroom

- Wash basin with solid surface worktop
- Mirror
- Storage lockers
- Shower compartment with automatic pump out
- Window with opening porthole
- Manual tension venetian blind
- LED overhead and concealed lighting (12v)
- Bathroom accessories
- Solid surface flooring

Guest cabin

- Two single berths

- Wardrobe with shelves
- Mirror
- Storage lockers
- Panoramic with opening porthole
- Manual tension venetian blind
- LED overhead and concealed lighting (12v)
- Individual berth lights
- 220/240v outlets (2)
- Fitted carpet

Gas

- Overboard vented and drained locker for 2 gas bottles
- Copper gas line sheathed in PVC
- Gas regulator
- Gas low/system test meter

Power and drive systems

- Twin duo-prop stern drives
- Engine room lighting
- Engine room access hatch and ladder
- Power-assisted electro-hydraulic steering system
- Trim tabs with indicators
- Electronic engine and gear shift controls

- Engine room extraction

Electrical systems

12 Volt:

- 2 x heavy duty batteries for engine starting
- 2 x heavy duty auxiliary batteries
- Battery link facility with remote control at helm position
- Both battery banks are charged using a voltage sensitive relay that parallels both battery banks when a charging source is present
- 75-amp 12v float battery charger
- Remote battery master switches with control switch at main switch panel
- Circuit breakers on all circuits
- 12v voltage dropper for certain navigation and radio circuits
- Princess Connect telemetry and maintenance system

220/240 Volt:

- Automatic fire extinguisher
- 30-amp shore support inlet

- Polarity check system
- Earth leakage safety trip
- Circuit breakers on all circuits
- Power points in: owner's cabin, guest cabin, galley and saloon area
- Shaver point in bathroom

Fuel system

- Twin fuel tanks (in NS8 marine grade alloy) with interconnection system giving 160 gal / 192 US gal / 730l capacity
- Fuel fillers on port and starboard side decks
- Volvo fuel filter/ water separator (one per engine) with water warning sensors connected to warning lights at helm position
- Remote fuel cocks in cockpit locker
- Fuel gauges at main helm console

Water system

- Water tanks totalling 64 gal / 77 US gal / 290l plus 7 gal / 8.5 US gal / 32l hot water calorifier
- Water heated by engines and 240v immersion heater
- Automatic water pump with filter

- Main circuit breaker at switch panel
- Water level gauge
- Deck filler

Fire extinguishers

- Automatic/manual override fire extinguishers in engine room with warning system at helm position
- Hand-operated fire extinguishers (4) in owner's cabin, guest cabin, galley and helm position

Bilge pumps

- Automatic/manual override electric bilge pumps in engine room (2), rudder area, lazarette and forward accommodation (6 in all)
- High-capacity manual bilge pump with valve system and suction points in same areas
- Electric bilge pumps have controls and warning lights at main helm and warning light with audible alarm at flybridge helm

Other standard equipment

- Ensign staff

- Fenders (6)
- Mooring warps (4)
- Boat hook
- First-aid kit
- Tool kit
- Owner's manual and engine manual
- Quilted bedspreads supplied to both cabins
- Ship's document case
- Anchor winch back up handle

Finishes

- Teak-laid decks to transom platform, cockpit deck and steps to side decks
- Timber-laid floor to galley area
- Furniture in Rovere oak with satin finish as standard. Optional finishes include ash or silver oak with a satin finish or walnut wood in a satin or gloss finish
- Tiled floor in bathroom suite in guest accommodation
- Solid surface wash basin counter tops in bathroom suite in guest accommodation
- Galley worktop in solid surface finish
- Choice of high-quality carpet and upholstery fabric from extensive range

- Blinds or sunscreens to all windows and portholes