

2021 PRINCESS V40 (2021)

€550 000



HIGHLIGHTS

- / VOLVO JOYSTICK & BOW THRUSTER
- / GENERATOR UPGRADED TO 6 KVA
- / 18-MILE RANGE RADAR & GPS PLOTTER
- / UNDERWATER TRANSOM LIGHTS
- / COCKPIT FLOOR LIGHTS & WINTER CANOPY
- / STAINLESS STEEL ANCHOR & 60M STAINLESS STEEL CHAIN

SPECIFICATIONS

Location	Valetta, Malta	Cabins	2
Year	2021	Berths	4
Length	12.98 m	Engines	Volvo D6-340/DP
Beam	3.81 m	Engine hours	270
Draft	0.91 m	Max power	2 x 340 hp
Fuel capacity	730 l	Price	€550 000 (VAT paid)
Water capacity	322 l		



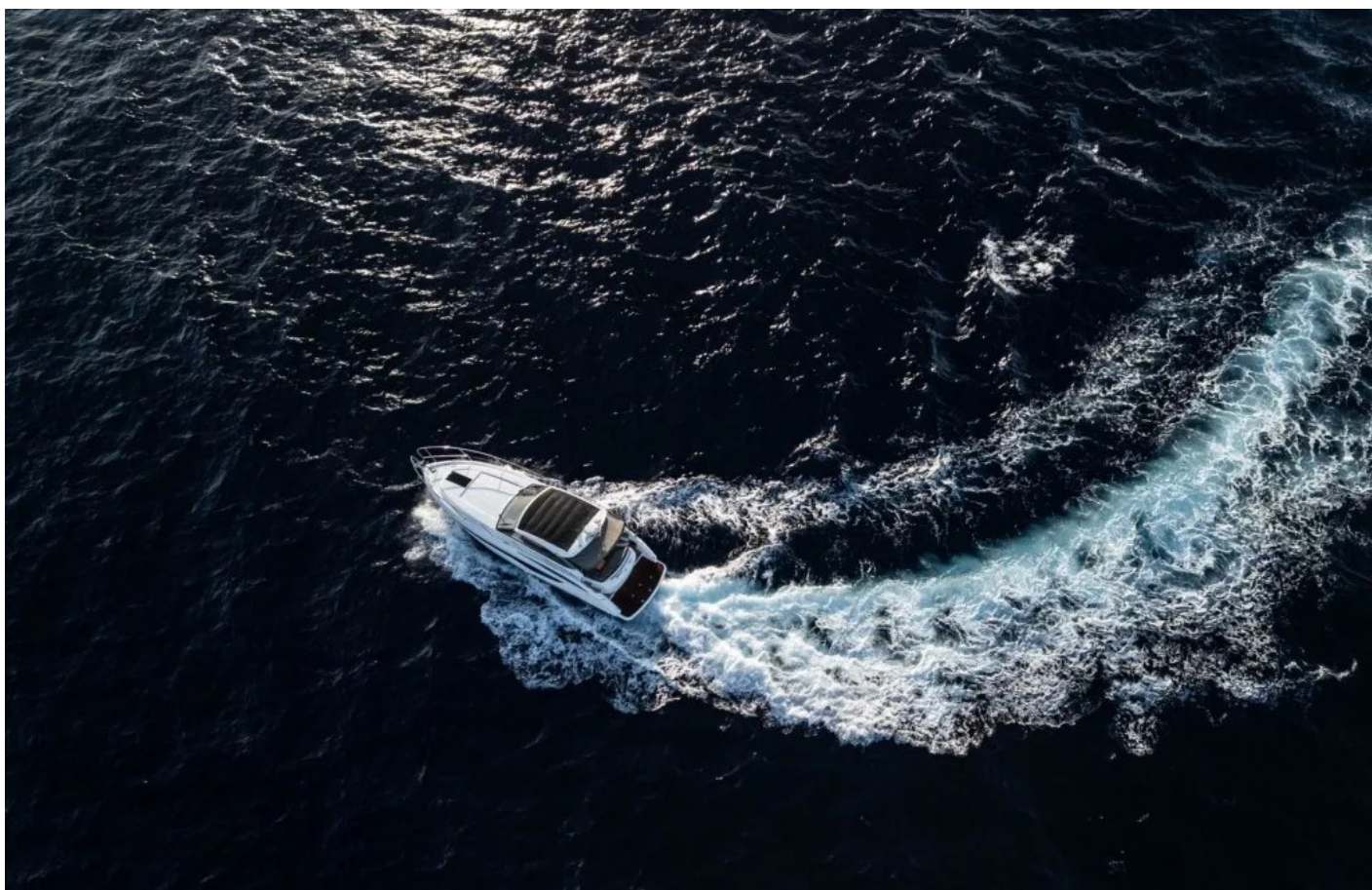
We are proud to present this stunning Princess V40, delivered in 2021 and offered in pristine condition with only 270 engine hours. Meticulously maintained and EU VAT paid, she combines sporty performance with luxurious comfort in a perfectly sized cruiser.

Equipped with Volvo joystick control, bow thruster, upgraded 6 kVA generator, and advanced navigation systems, she offers effortless handling and confident cruising. The spacious cockpit, underwater lights, winter canopy, and stainless steel anchor setup ensure year-round enjoyment and style.

Inside, the V40 features fully air-conditioned cabins, a refined saloon with Android TV, and a beautifully equipped galley. Her sleek design, premium build quality, and low hours make her an outstanding opportunity for discerning buyers.

Ready for immediate cruising — contact us today to arrange a private viewing.















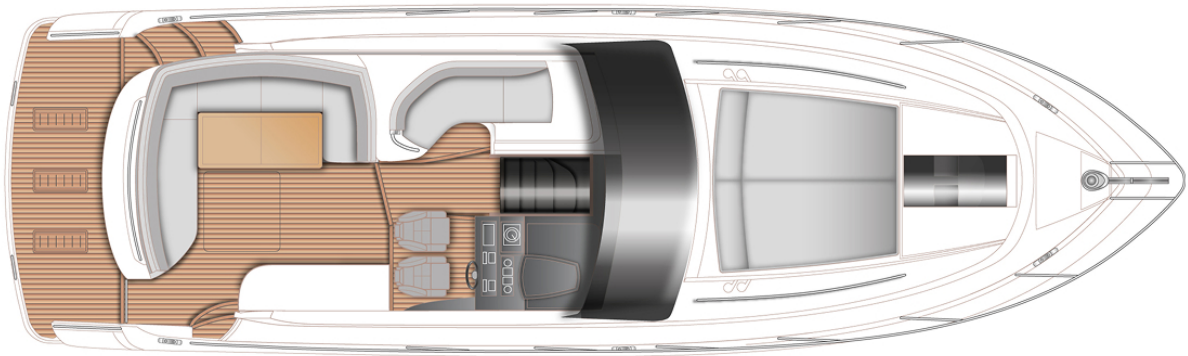




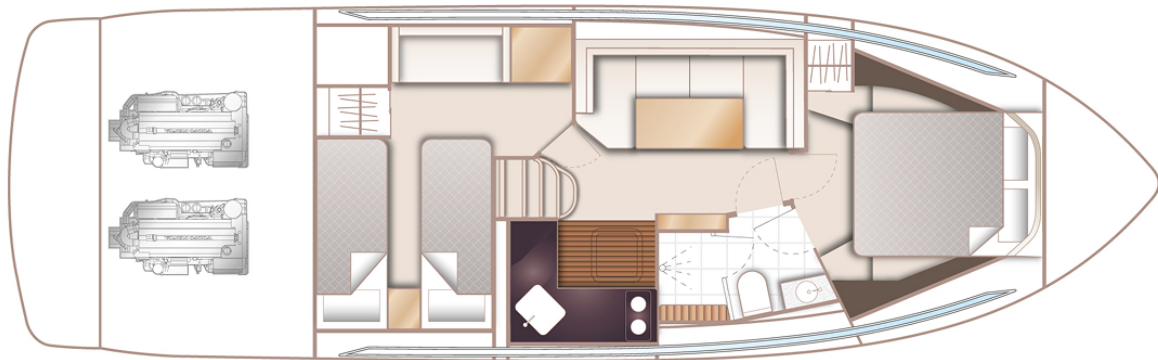




LAYOUTS



MAIN DECK



LOWER DECK

EQUIPMENT

Additional Equipment

- Hi/low bathing platform
- Underwater lights
- Android TV in saloon
- Volvo joystick
- Screen sun protector
- 18-mile range radar
- Winter cockpit canopy
- Stainless steel anchor
- Air conditioning in all rooms
- Hull support with 5 coats of gelcoat
- Engine hours: 270
- Custom-made steps from boat to bathing platform when platform is in the water
- Always serviced by Volvo technicians
- Net sun screen in cockpit
- Brackets on platform for chocks
- Insect screens
- Bow thruster
- GPS including plotter
- Cockpit floor lighting
- Step under driver seat
- 60m stainless steel chain
- Generator upgraded to 6k VA instead of 4k VA
- 10 Princess fenders and ropes
- Fire extinguishers
- Bow nose-down railing

2021 PRINCESS V40 (2021)

€550 000

+33 640 61 88 46 

m.st.pierre@princessyachtsmonaco.com

Follow Princess Yachts Monaco

